

Product Specifications

Pump Type:	Fixed Displacement Piston Type
Rotation:	CW or CCW
Speed:	600 RPM to 3000 RPM*
Unloading Valve:	Integral and Pressure Adjustable
Normal Pressure Cut Out:	3000 psi (207 bar)
Normal Pressure Cut In:	2500 psi (172 bar)
Weight:	5.5 lbs. (2.5 kg)
MAWP:	3000 psi (207 bar)
Recommended Fluid:	Red hydraulic fluid (MIL-H-5606)
Inlet Connection:	SAE #6
Outlet Connection:	SAE #4
Return Connection:	SAE #4
Output Shaft:	No. 3 Woodruff Key
Service Kit:	KT-202788

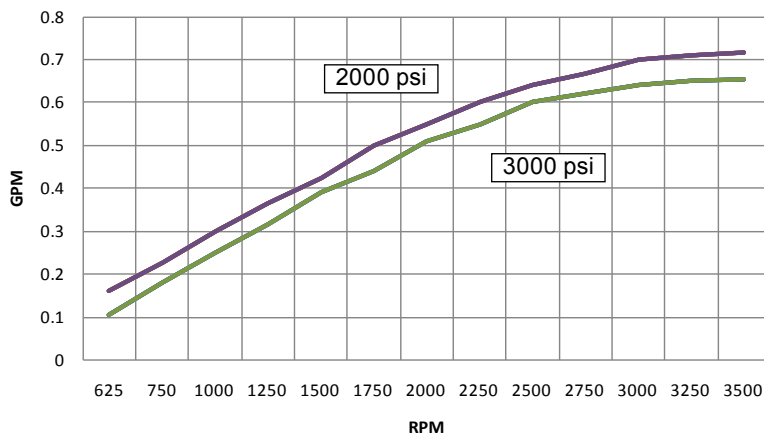
*Operation at speeds in excess of 3000 RPM may result in pump damage. Please consult factory on high speed applications.

RPA-308090

Revised August 2014



Pump Performance

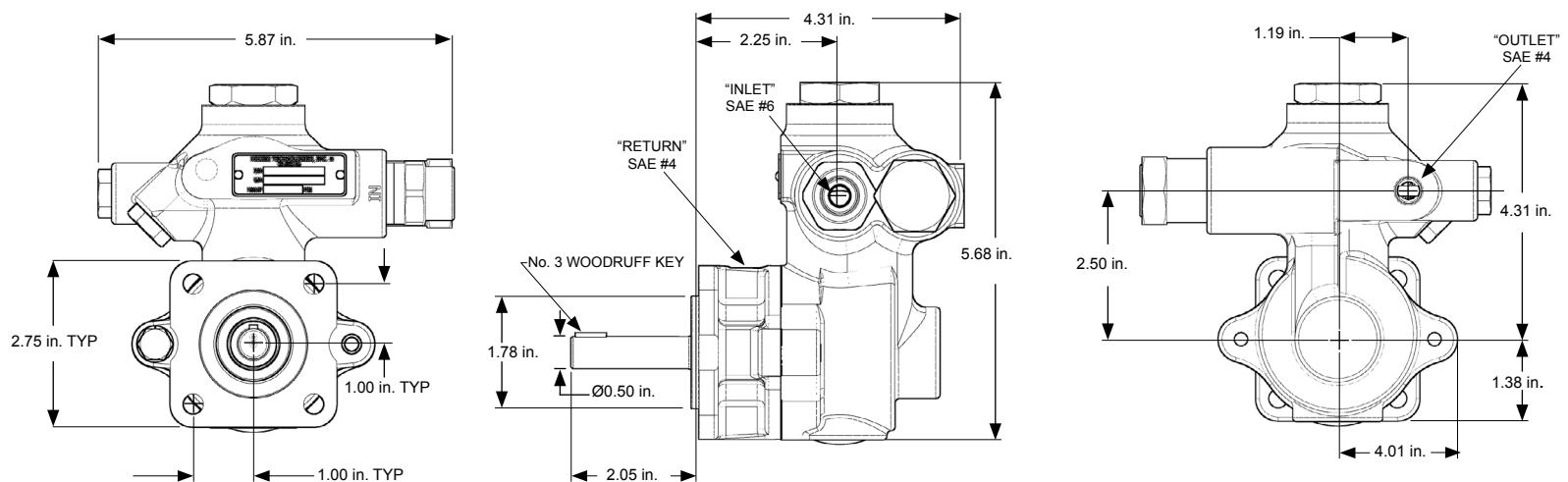


Mounting Specifications

Model	Mounting Flange			Drive Shaft	
	ANSI	USA	SAE	ANSI	(SAE)*
RPA-308090	-	4F17	-	13-1	(A-A)

*Reference letters indicate the matching SAE mounting flange

General Dimensions



SSRPA090_C