

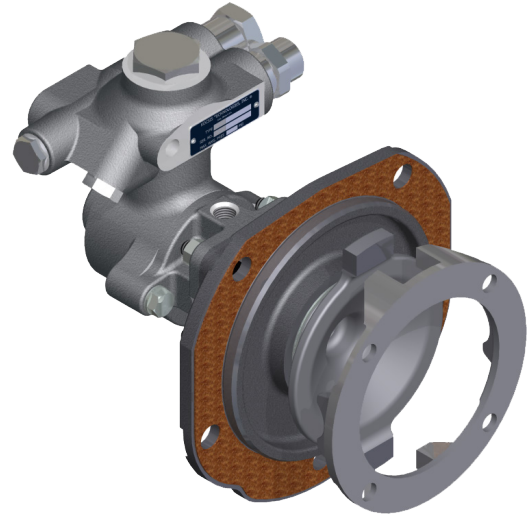
Product Specifications

Pump Type:	Fixed Displacement Piston Type
Rotation:	CW or CCW
Speed:	600 RPM to 3000 RPM*
Unloading Valve:	Integral and Pressure Adjustable
Normal Pressure Cut Out:	3000 psi (207 bar)
Normal Pressure Cut In:	2500 psi (172 bar)
Weight:	12.25 lbs. (5.6 kg)
MAWP:	3000 psi (207 bar)
Recommended Fluid:	Red hydraulic fluid (MIL-H-5606)
Inlet Connection:	SAE #6
Outlet Connection:	SAE #4
Dump Connection:	SAE #4
Output Shaft:	Special Hub
Flange:	Special
Service Kit:	KT-202788

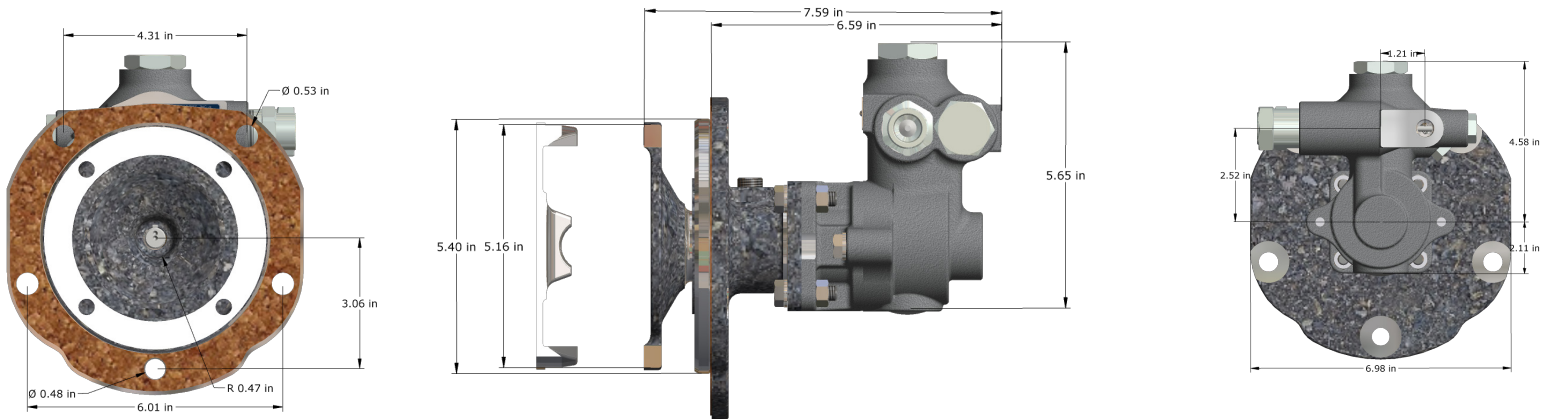
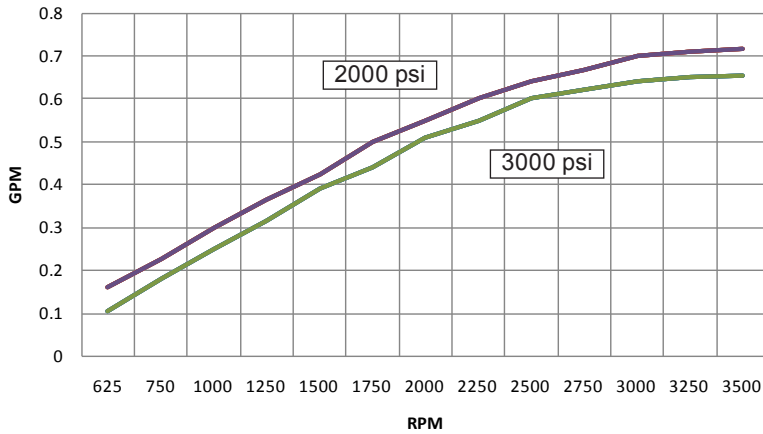
*Operation at speeds in excess of 3000 RPM may result in pump damage. Please consult factory on high speed applications.

RPA-300412

Revised October 2014



Pump Performance



SSRPA412_D