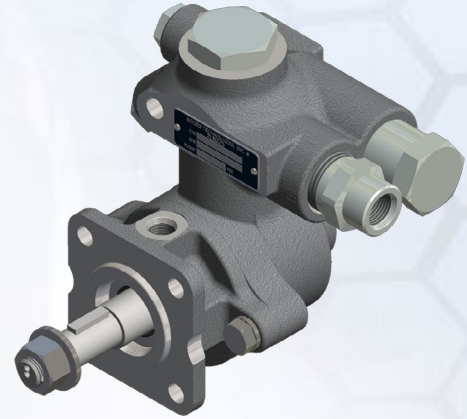


RPA-300363

Revised August 2014

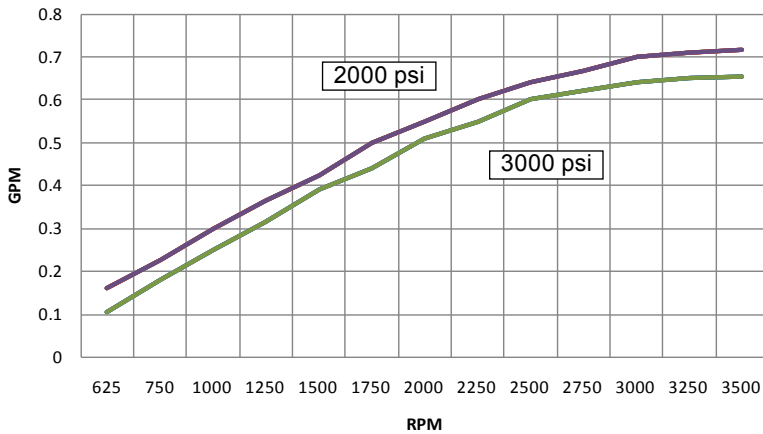
Product Specifications

Pump Type:	Fixed Displacement Piston Type
Rotation:	CW or CCW
Speed:	600 RPM to 3000 RPM*
Unloading Valve:	Integral and Pressure Adjustable
Normal Pressure Cut Out:	3000 psi (207 bar)
Normal Pressure Cut In:	2500 psi (172 bar)
Weight:	5.5 lbs. (2.5 kg)
MAWP:	3000 psi (207 bar)
Recommended Fluid:	Red hydraulic fluid (MIL-H-5606)
Inlet Connection:	SAE #6
Outlet Connection:	SAE #4
Return Connection:	SAE #4
Output Shaft:	Bolted End, No. 3 Woodruff Key
Service Kit:	KT-202788



*Operation at speeds in excess of 3000 RPM may result in pump damage. Please consult factory on high speed applications.

Pump Performance

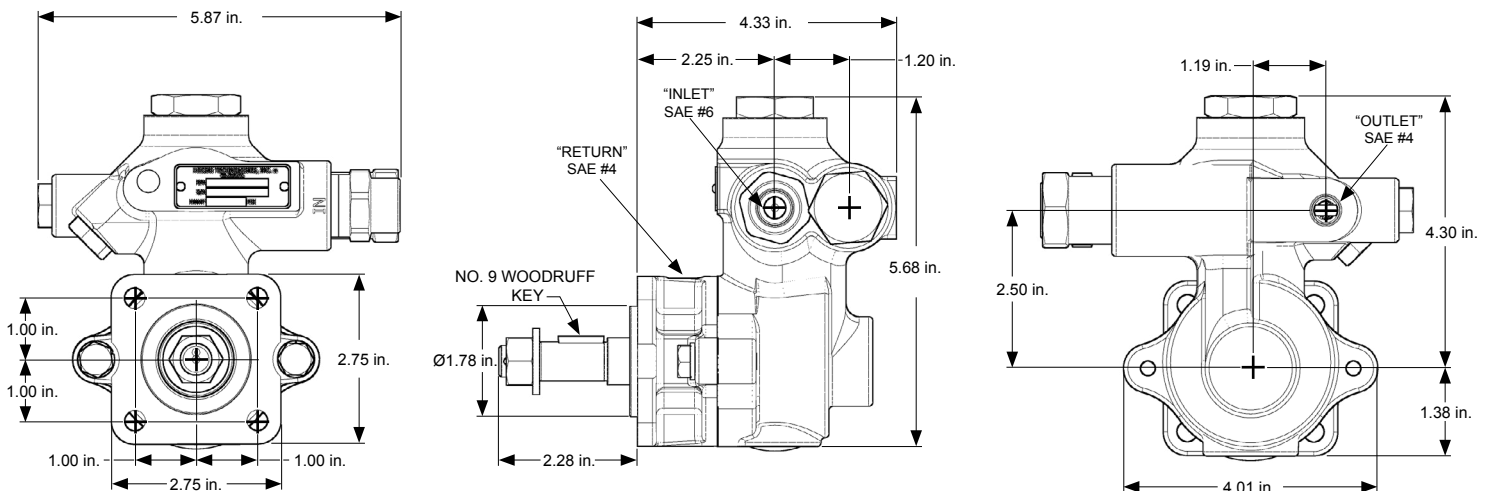


Mounting Specifications

Model	Mounting Flange			Drive Shaft	
	ANSI	USA	SAE	ANSI	(SAE)*
RPA-300363	-	4F17	-	16-2	-

*Reference letters indicate the matching SAE mounting flange

General Dimensions



SSRPA363_C